

## FILTER

Stainless steel

**TCR 10XF** **I&II** **SERIES** 

**STANDARD SERIES FROM 1/4" TO 3/4", 100 BAR**

OIL & GAS



Stainless steel 316 L filters designed and manufactured for heavy-duty applications. Entirely made of stainless steel 316 L, compatible with all liquids and gases

### APPLICATIONS:

- Pharmaceutical industry;
- Chemical industry;
- Oil & gas and Off Shore applications
- Food industry

### FEATURES:

- Particular attention to the low surface roughness, to grant high cleaning standard;
- Compatible for use in aggressive environments;
- Suitable for extreme temperatures (-60°C), critical environments, hazardous applications;
- Suitable to be cleaned and sanitized by the most common processes;

### MATERIALS

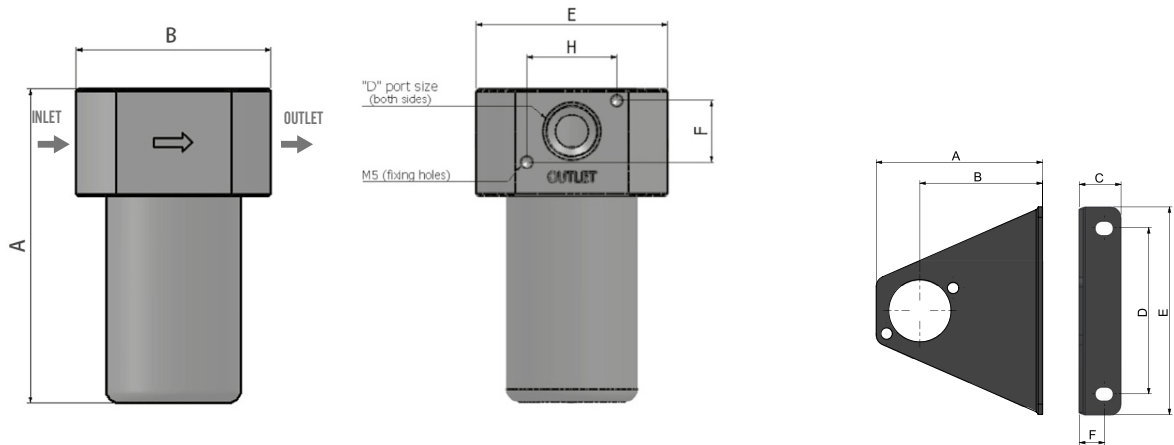
<b>Body, bonnet</b>	316L stainless steel
<b>Bowl</b>	316L stainless steel
<b>Seals</b>	HNBR – EPDM – FKM - Silicone
<b>Internal parts</b>	316L stainless steel
<b>Filter element</b>	Stainless steel 316L (5 µm, 25 µm, 50 µm or coalescent 0.01µm)

### TECHNICAL DATA

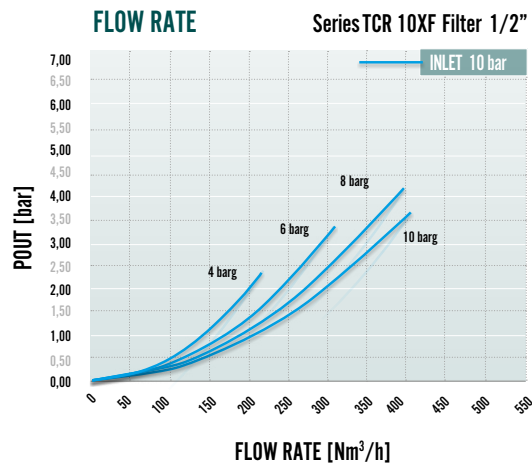
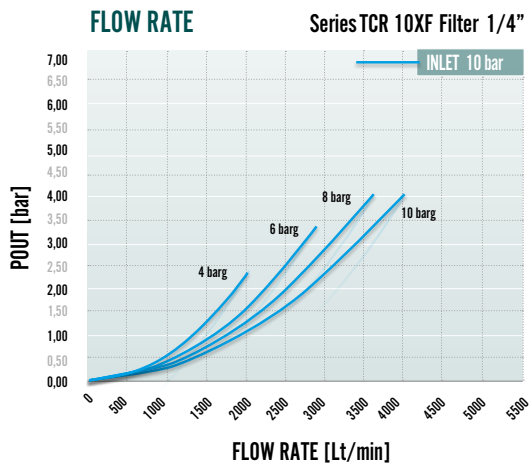
	1/4" - 3/8" SERIES I	1/2" - 3/4" SERIES II
<b>Port thread</b>	1/4" BSPP F – 1/4" NPT F	1/2"-3/4" BSPP F – 1/2"-3/4" NPT F
<b>P. max Inlet</b>	100 Bar / 1450 Psi no drain (50 bar Temp>80°C)	
<b>Flow rate *</b>	260 Nm <sup>3</sup> /h – 4400 dm <sup>3</sup> /min	350 Nm <sup>3</sup> /h – 5900 dm <sup>3</sup> /min
<b>Weight</b>	1.6kg/3lb	2.3kg/5lb
<b>Working temp.</b>	-25°C to +110°C (HNBR) / -50°C to +130°C (EPDM) -60°C to +230°C Silicone / -20°C +200°C FKM (optional)	
<b>Conformity to Directives</b>	2014/34/EU ATEX - ASTM A182 Nace MR0.175	

\*) P<sub>IN</sub> 10bar, P<sub>OUT</sub> 6.3bar, ΔP 1bar

## Stainless steel



SIZE	A	B	C	D	E	F	G	H	I	SIZE	A	B	C	D	E	F
1/4"	108	60	-	1/4"	60	11	-	28	-	1/4"	88	59	20	80	100	12
1/2"-3/4"	11	68	-	1/2"-3/4"	68	22	-	32	-	1/2"-3/4"	88	59	20	80	100	12



### OPTIONALS :

- Bracket
- Flanges
- Coalescing microfilter 0.01µm
- Oring Kalrez®